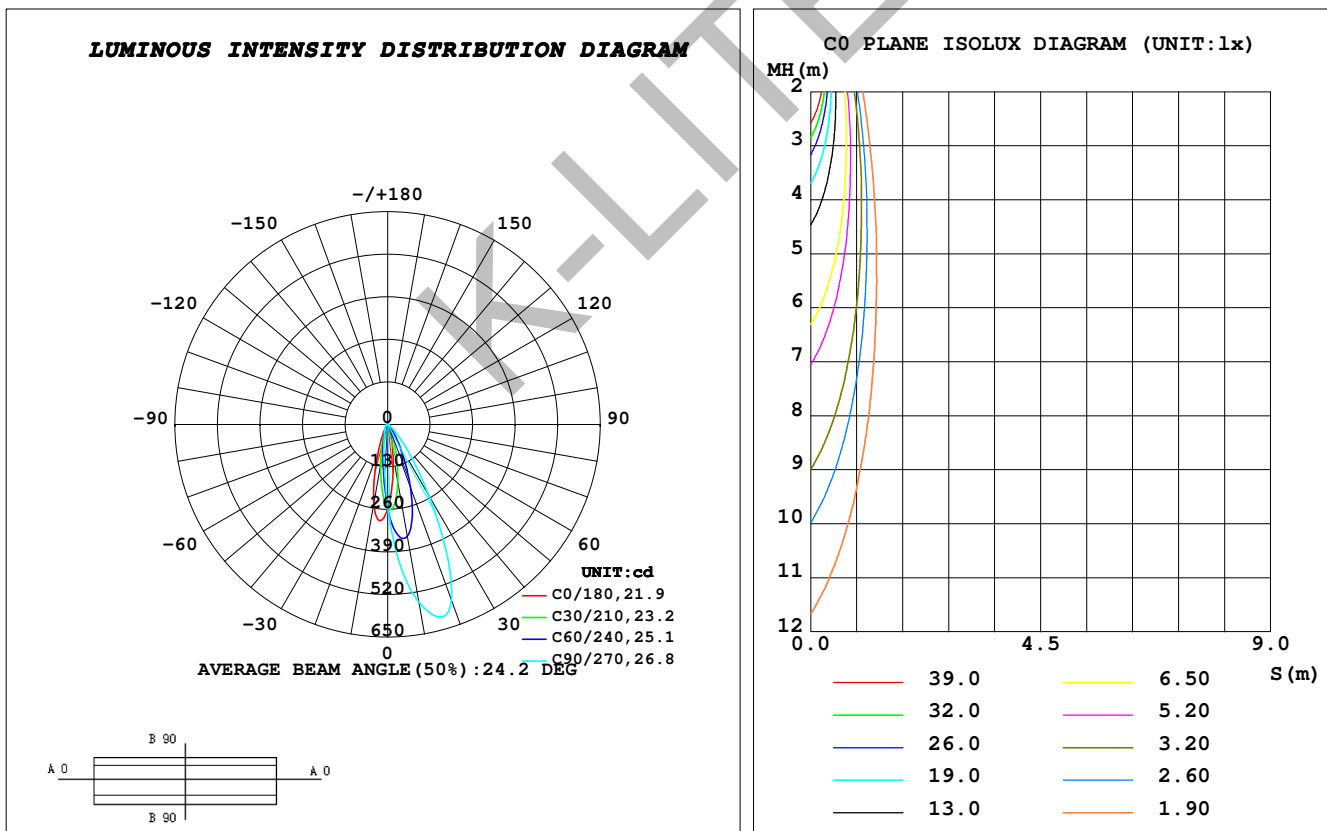


LUMINAIRE PHOTOMETRIC TEST REPORT

Test:U:230.24V I:0.0134A P:2.9159W PF:0.9439 Freq:49.99Hz Lamp Flux:357x1 lm		
NAME: IN-GROUND LUMINAIRE - ASYMMETRICAL	TYPE: IN-GROUND LUMINAIRES	WEIGHT:
SPEC.: WW, NICHIA	DIM.: Ø55 x 92	SERIAL No.: 0414
MFR.: K-LITE	SUR.:	Shielding Angle: 24°

DATA OF LAMP		PHOTOMETRIC DATA			
MODEL	KL-4093	Imax (cd)	739.2	S/MH (C0/180)	0.52
NOMINAL POWER (W)	3	LOR (%)	48.1	S/MH (C90/270)	0.17
RATED VOLTAGE (V)	230	TOTAL FLUX (lm)	171.55	η UP, DN (C0-180)	0.0, 40.3
NOMINAL FLUX (lm)	357	CIE CLASS	DIRECT	η UP, DN (C180-360)	0.0, 7.7
LAMPS INSIDE	1	η up (%)	0.0	CIBSE SHR NOM	0.00
TEST VOLTAGE (V)	230	η down (%)	48.1	CIBSE SHR MAX	1.00



C Range: 0 - 360DEG
C Interval: 10.0DEG
Test Speed: HIGH
Temperature: 25.3DEG
Operators: K-LITE
Test Date: 05 November 2019

γ Range: 0 - 90DEG
γ Interval: 0.5DEG
Test System: EVERFINE GO-R5000_V2 SYSTEM V2.00.417
Humidity: 65.0%
Test Distance: 10.000m [K=1.0000]
Remarks: