

A modern heritage post top luminaire upgraded with high performance light engines. Aesthetically designed sturdy construction ensures a long life against all weather condition, maintaining initial performances through the lifetime of the installation. Product offered in asymmetrical light distribution.

### Product Description

- The luminaire comprises of specially contoured spun aluminium top cover, gravity die cast aluminium supporting arms with mounting base.
- Die cast aluminium crown attachment added for aesthetics.
- Non yellowing UV stabilised, V clear acrylic / V clear polycarbonate diffuser.
- Luminaire integrated with 30W LED.
- Luminaires suitable for mounting on 50mm OD pipe.
- Cable entries for through-wiring of mains supply cable
- Integral constant current power supply
- Prewired with LED driver and suitable for operating on 240V, 50Hz single phase ac supply.
- Ordering guide : KL-4516-CCT (Colour Temperature)
- Available CCT : 3000K, 4000K, 5700K



### Product Benefits

- High luminous efficiency at reduced wattage.
- Environmental friendly.
- Corrosion resistant and easy maintenance.
- Quick installation and low assembly costs.
- Dark sky compliant protects pedestrians from glare, in addition to preventing spill light above the horizontal plane.
- Sustainable LED technology offers durability and optimal light output with low power consumption.

### Area of Application

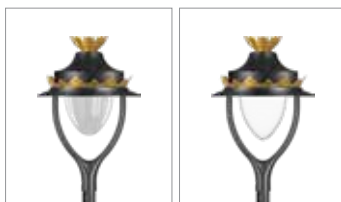
Illuminating parks, Gardens, Commercial complex, Residential roadways, Walkways, Streetscapes & office complex.

### Available Finish

Pure polyester powder coated

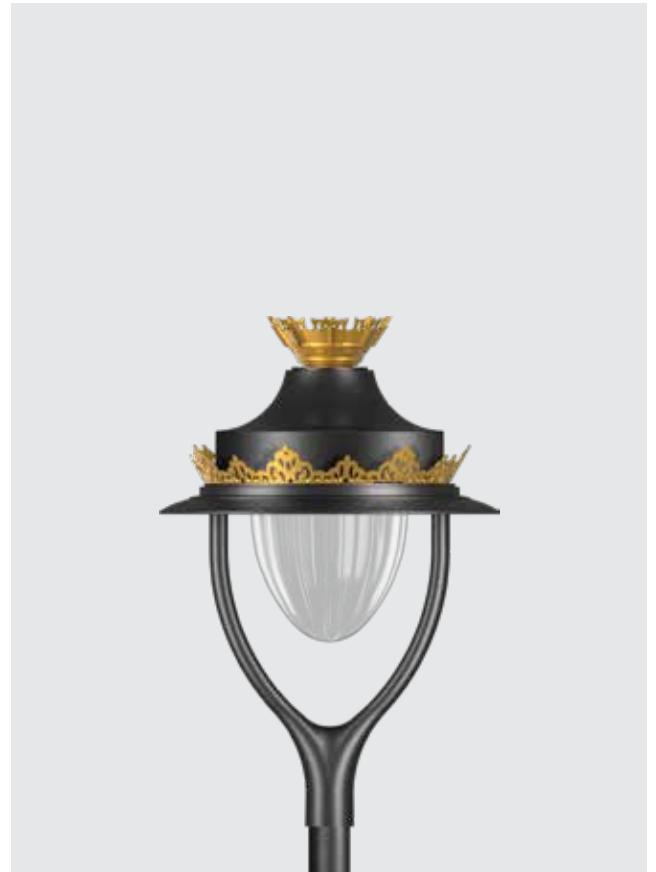
- Graphite grey
- Anthracite grey
- Jet black

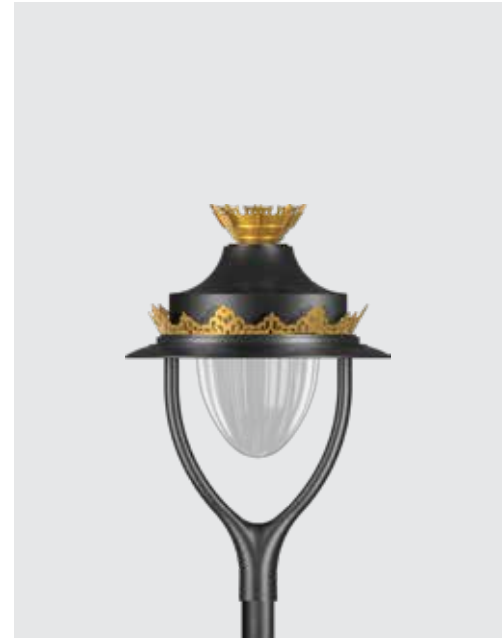
### Diffuser Options



A9 - Clear Acrylic Diffuser

A12 - Clear PC Diffuser





**Technical Specifications**

**General**

ID	: 4516
System Wattage	: 30W LED
Driver Integral	: Constant Current
Input Voltage	: 230-240Vac
Frequency	: 50-60 Hz
Operating Voltage	: 100-277Vac
Operating Temperature	: -15°C~+50°C

**Physical**

Body	: Spun aluminium top cover & Die cast aluminium base
Diffuser	: Clear acrylic / Clear PC
Mounting	: Suitable for Ø50mm OD Pipe
Finish	: Powder Coated Graphite Grey / Jet Black Anthracite Grey

**Light Source**

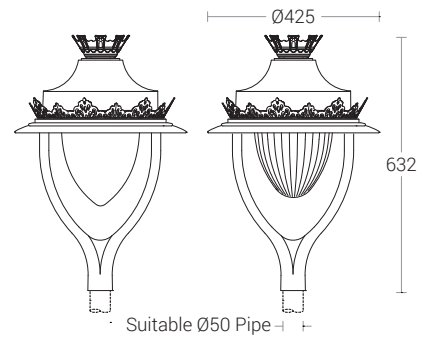
Light Source	: OSRAM / LUMILED
LED Lumens	: 4425 lm
CRI (Ra)	: >80
LED Colour Temperature	: 3000K / 4000K / 5700K

**Driver**

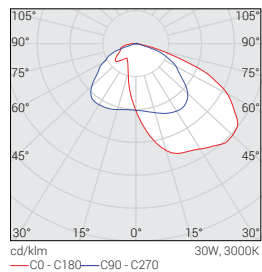
Power Supply	: Integral
Power Factor	: >0.95
THD	: <10%
Surge Protection	: 4KV
Efficiency	: >85%

**Optical Performance**

Colour Temperature	: 3000K / 4000K / 5700K
Luminous flux	: 3638 / 3664 / 3700 lm
Light Distribution	: Type IV



**Photometric Data**



A modern heritage post top luminaire upgraded with high performance light engines. Aesthetically designed sturdy construction ensures a long life against all weather condition, maintaining initial performances through the lifetime of the installation. Product offered in asymmetrical light distribution.

### Product Description

- The luminaire comprises of specially contoured spun aluminium top cover, gravity die cast aluminium supporting arms with mounting base.
- Die cast aluminium crown attachment added for aesthetics.
- Non yellowing UV stabilised, V clear acrylic / V clear polycarbonate diffuser.
- Luminaire integrated with 50W LED.
- Luminaires suitable for mounting on 50mm OD pipe.
- Cable entries for through-wiring of mains supply cable
- Integral constant current power supply
- Prewired with LED driver and suitable for operating on 240V, 50Hz single phase ac supply.
- Ordering guide : KL-4517-CCT (Colour Temperature)
- Available CCT : 3000K, 4000K, 5700K



### Product Benefits

- High luminous efficiency at reduced wattage.
- Environmental friendly.
- Corrosion resistant and easy maintenance.
- Quick installation and low assembly costs.
- Dark sky compliant protects pedestrians from glare, in addition to preventing spill light above the horizontal plane.
- Sustainable LED technology offers durability and optimal light output with low power consumption.

### Area of Application

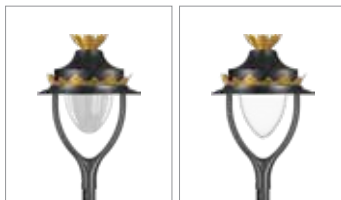
Illuminating parks, Gardens, Commercial complex, Residential roadways, Walkways, Streetscapes & office complex.

### Available Finish

Pure polyester powder coated

- Graphite grey
- Anthracite grey
- Jet black

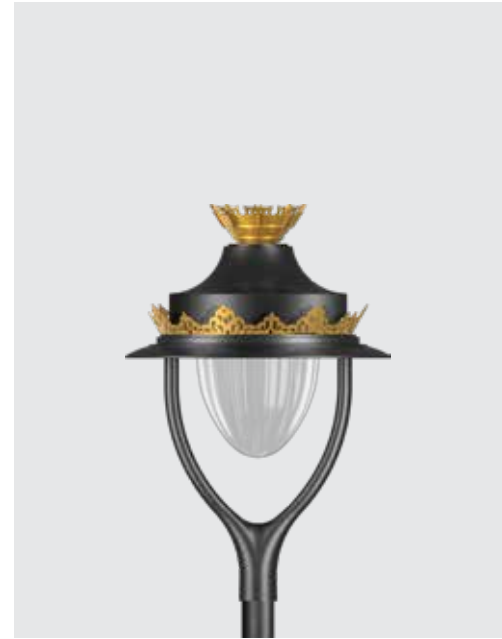
### Diffuser Options



A9 - Clear Acrylic Diffuser

A12 - Clear PC Diffuser





**Technical Specifications**

**General**

ID : 4517  
 System Wattage : 50W LED  
 Driver Integral : Constant Current  
 Input Voltage : 230-240Vac  
 Frequency : 50-60 Hz  
 Operating Voltage : 100-277Vac  
 Operating Temperature : -15°C~+50°C

**Light Source**

Light Source : OSRAM / LUMILED  
 LED Lumens : 6825 lm  
 CRI (Ra) : >80  
 LED Colour Temperature : 3000K / 4000K / 5700K

**Driver**

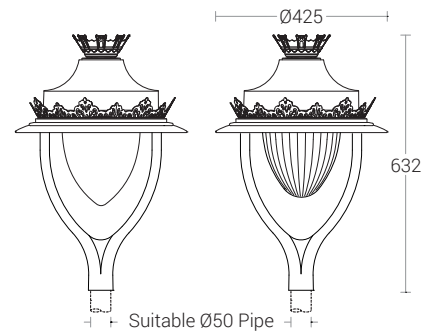
Power Supply : Integral  
 Power Factor : >0.95  
 THD : <10%  
 Surge Protection : 6KV  
 Efficiency : >85%

**Physical**

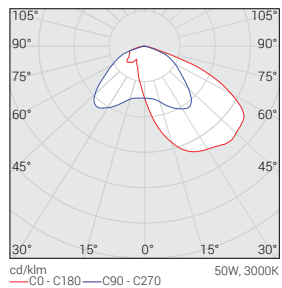
Body : Spun aluminium top cover & Die cast aluminium base  
 Diffuser : Clear acrylic / Clear PC  
 Mounting : Suitable for Ø50mm OD Pipe  
 Finish : Powder Coated  
 Graphite Grey / Jet Black  
 Anthracite Grey

**Optical Performance**

Colour Temperature : 3000K / 4000K / 5700K  
 Luminous flux : 5800 / 6031 / 6039 lm  
 Light Distribution : Type IV



**Photometric data**



A modern heritage post top luminaire. Aesthetically designed sturdy construction ensures a long life against all weather condition, maintaining initial performances through the lifetime of the installation.

### Product Description

- The luminaire comprises of specially contoured spun aluminium top cover, gravity die cast aluminium supporting arms with mounting base.
- Die cast Aluminium crown attachment added for aesthetics.
- Non yellowing UV stabilised, V translucent acrylic / V clear acrylic / V clear polycarbonate diffuser.
- Luminaire suitable for mounting on 50mm OD pipe.
- Cable entries for through-wiring of mains supply cable
- Prewired with E27 holder and suitable for operation on 240V, 50Hz single phase ac supply.



### Product Benefits

- Elegance, Functionality.
- Corrosion resistant and easy maintenance.
- Quick installation and low assembly costs.
- Dark sky compliant protects pedestrians from glare, in addition to preventing spill light above the horizontal plane.

### Area of Application

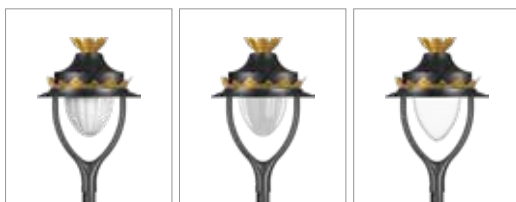
Illuminating parks, Gardens, Commercial complex, Residential roadways, Walkways, Streetscapes & office complex.

### Available Finish

Pure polyester powder coated

- Graphite grey
- Anthracite grey
- Jet black

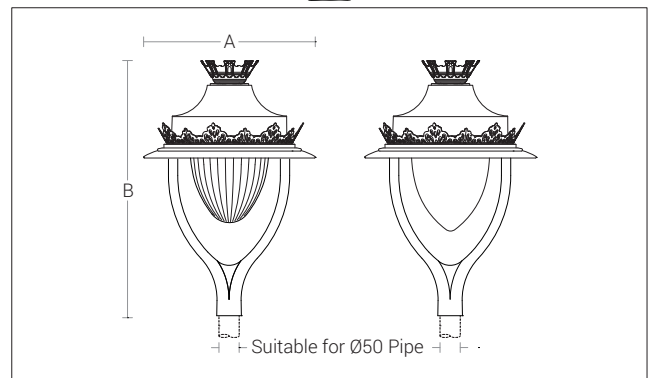
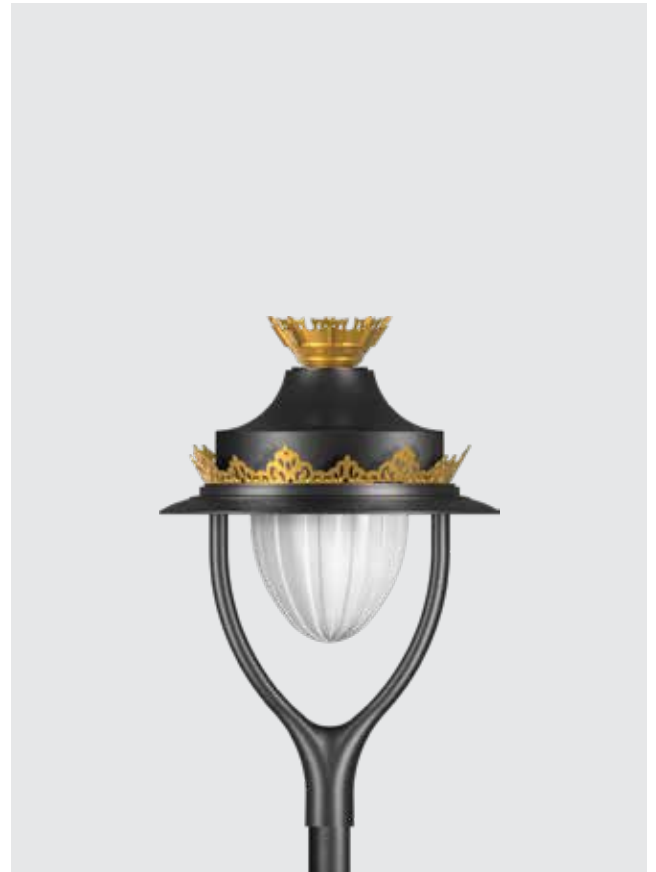
### Diffuser Options



A8 - Translucent Acrylic

A9 - Clear Acrylic Diffuser

A12 - Clear PC Diffuser



ID	Wattage	A	B
5372	E27	Ø425	632

A modern heritage post top luminaire upgraded with high performance light engines. Aesthetically designed sturdy construction ensures a long life against all weather condition, maintaining initial performances through the lifetime of the installation. Product offered in symmetrical light distribution.

### Product Description

- The luminaire comprises of specially contoured spun aluminium top cover, gravity die cast aluminium supporting arms with mounting base.
- Die cast Aluminium crown attachment added for aesthetics.
- Non yellowing UV stabilised, translucent V acrylic / translucent convex acrylic diffuser.
- Luminaire integrated with 30W LED.
- Luminaires suitable for mounting on 50mm OD pipe.
- Cable entries for through-wiring of mains supply cable
- Integral constant current power supply
- Prewired with LED driver and suitable for operating on 240V, 50Hz single phase ac supply.
- Ordering guide : KL-5373-CCT (Colour Temperature)
- Available CCT : 3000K, 4000K, 5700K



### Product Benefits

- High luminous efficiency at reduced wattage.
- Environmental friendly.
- Corrosion resistant and easy maintenance.
- Quick installation and low assembly costs.
- Dark sky compliant protects pedestrians from glare, in addition to preventing spill light above the horizontal plane.
- Sustainable LED technology offers durability and optimal light output with low power consumption.

### Area of Application

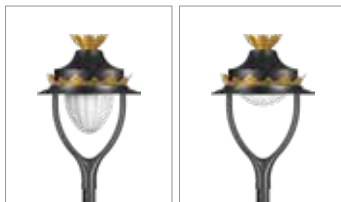
Illuminating parks, Gardens, Commercial complex, Residential roadways, Walkways, Streetscapes & office complex.

### Available Finish

Pure polyester powder coated

- Graphite grey
- Anthracite grey
- Jet black

### Diffuser Options

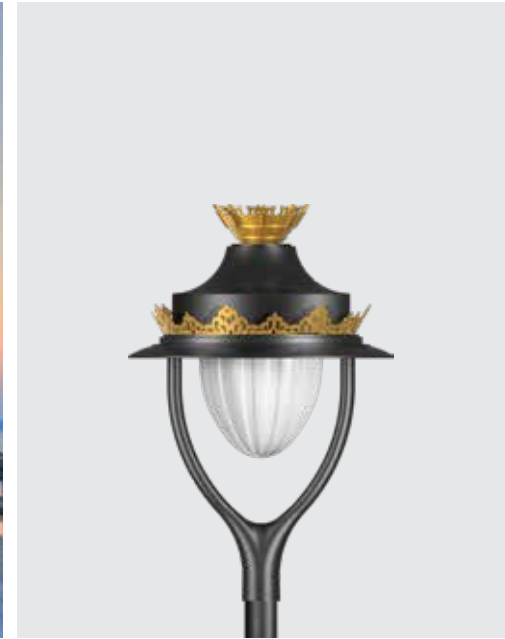


AB - Translucent Acrylic

A10 - Translucent Acrylic







**Technical Specifications**

**General**

ID : 5373  
 System Wattage : 30W LED  
 Driver Integral : Constant Current  
 Input Voltage : 230-240Vac  
 Frequency : 50-60 Hz  
 Operating Voltage : 100-277Vac  
 Operating Temperature : -15°C~+50°C

**Light Source**

Light Source : NICHIA  
 LED Lumens : 3968 lm  
 CRI (Ra) : >80  
 LED Colour Temperature : 3000K / 4000K / 5700K

**Physical**

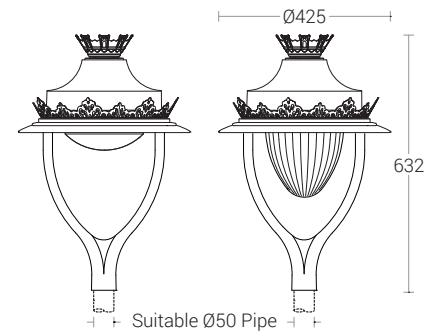
Body : Spun aluminium top cover & Die cast aluminium base  
 Diffuser : Translucent acrylic  
 Mounting : Suitable for Ø50mm OD Pipe  
 Finish : Powder Coated  
 Graphite Grey / Jet Black  
 Anthracite Grey

**Driver**

Power Supply : Integral  
 Power Factor : >0.9  
 THD : <10%  
 Surge Protection : 4KV  
 Efficiency : >85%

**Optical Performance**

Colour Temperature : 3000K  
 Luminous flux : 2147 lm  
 Light Distribution : Symmetrical



**Photometric Data**

