

ARC

Elegance of Simplicity

Arc-L & D Pendant Direct / Indirect luminaire, offers high quality, economical and easy to install modular lighting solutions. It offers premium lighting environment for sustainable Offices, Educational institutions, Retail and General areas. High-performance optic for maximum light efficiency and glare controlled light distribution with low UGR.

K-LITE

ARC-L

Power : 30W/40W 60W 90W
 Length: 1188mm 2364mm 3540mm



Features

- NICHIA LED's
- 3000K / 4000K / 5700K or TW 2700K to 5700K
- Ra>80 (>90 On Request)
- SDCM ≤ 3
- L70 / B10 @ 60,000 Hrs
- Standard suspension kit 1M



Options

- Through wiring
- Dimmable options

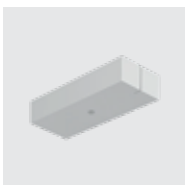


Beam Angle



50°

Accessories



Canopy Kit

For control unit
 Bespoke Colour Options

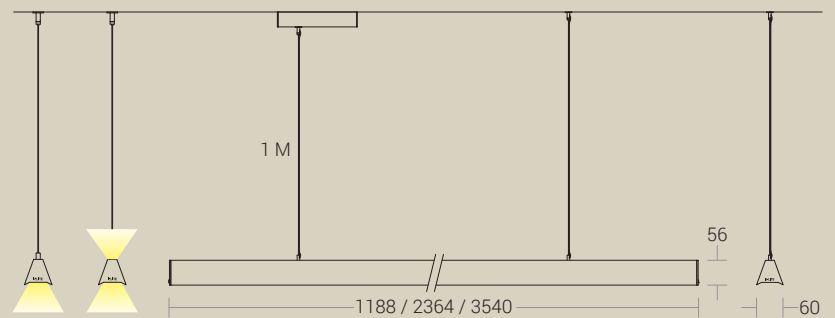
PENDANT
 DIRECT



PENDANT
 DIRECT / INDIRECT



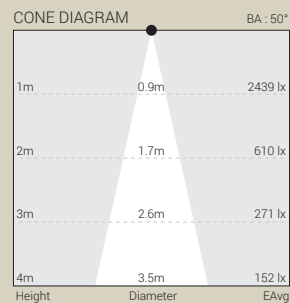
Dimension in mm



Housing Colour

- High-quality aluminium with powder coated finish in RAL9005 Black fine texture | RAL9016 White fine texture | RAL9006 Grey fine texture

Light Distribution





Technical Specifications

General

Driver : Constant Current
 Input Voltage : 220-240Vac
 Operating Temperature : +25°C~+55°C

Light Source

Light Source : NICHIA
 CRI (Ra) : >80 (>90 On Request)
 LED Colour Temperature : 3000K / 4000K / 5700K

Optical

Efficiency : >90%
 Tilt : Fixed
 Beam Angle : 50°
 Diffuser/Lens Material : Polycarbonate
 Secondary Reflector : Hexa-Cell (Matt Black)
 UGR : <14

Physical

Body : High-Grade Aluminium with Die-cast Endcaps
 Mounting : Suspended
 Finish : White(RAL9016)
 Black(RAL9005)
 Grey (RAL 9006)

Driver

Power Supply : Integrated
 Power Factor : >0.95
 THD : <10%
 Surge Protection : 2KV-3KV
 Efficiency : >85%

Ordering Guide

Pendant - Direct

ID	Wattage	Dimension (mm)
3476	30W	1188 x 60 x 56
3477	40W	1188 x 60 x 56
3478	60W	2364 x 60 x 56
3479	90W	3540 x 60 x 56

Pendant - Direct-Indirect

ID	Wattage	Dimension (mm)
3428	30W & 10W	1188 x 60 x 56
3429	40W & 10W	1188 x 60 x 56
3439	60W & 20W	2364 x 60 x 56
3440	90W & 20W	3540 x 60 x 56