

"Aarsh" pendant luminaires are a perfect fit for varied lighting applications. The spun aluminium housing is ideal for better thermal management. Elegantly designed fixture under the green lighting, energy efficient category.

#### Product Description

- Ring shaped body made of spun aluminium for better thermal management.
- High efficiency prismatic acrylic diffuser for glare free, uniform light distribution.
- Pendant mounting on ceiling using hardware after connecting to power supply.
- Supplied with adjustable stainless steel suspension kit (1metre).
- Cable entries for through-wiring of mains supply cable
- Integral constant current power supply.
- Suitable for operation on 240V, 50Hz single phase ac supply.
- Ordering guide : KL-2850-CCT ( Colour Temperature )
- Available CCT: 3000K, 4000K, 5700K



#### Product Benefits

- High luminous efficiency at reduced wattage.
- Elegance, Functionality.
- Environmental friendly.
- Attractive high quality housing and optics.
- Visual comfort with maximum energy saving
- Sturdy construction in order to maintain performance of the luminaire and to reduce maintenance costs.

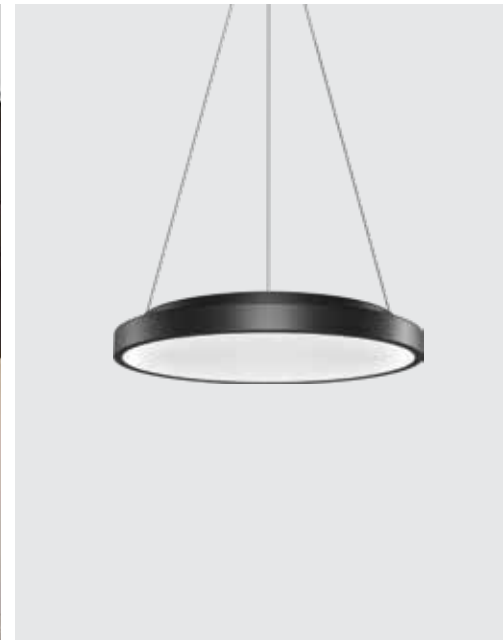
#### Area of Application

Corporate Offices, Lobbies, Shopping Malls, Restaurants, Receptions, Corridors, Commercial & Business Centers.

#### Available Finish

Black / White / Silver epoxy polyester powder coating.





### Technical Specifications

#### General

ID	: 2848
System Wattage	: 60W LED
Driver Integral	: Constant Current
Input Voltage	: 230-240Vac
Frequency	: 50-60Hz
Operating Voltage	: 100-277Vac
Operating Temperature	: -15°~+50°C

#### Physical

Body	: Spun Aluminum
Diffuser	: Prismatic / Satin Acrylic
Mounting	: Pendant
Finish	: Powder Coated Black / White / Silver

#### Light Source

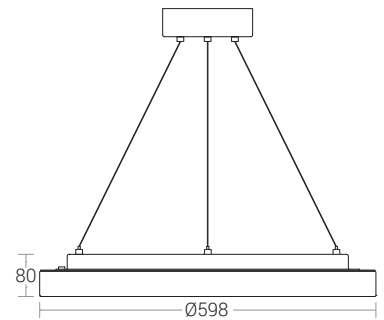
Light Source	: LUMILED
LED Lumens	: 9000 lm
CRI (Ra)	: >80 (90 On Request)
LED Colour Temperature	: 3000K / 4000K / 5700K

#### Driver

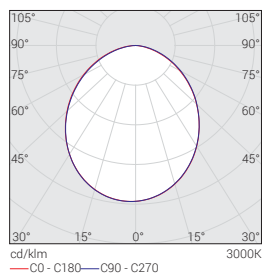
Power Supply	: Integral
Power Factor	: >0.90
THD	: <10%
Surge Protection	: 6KV
Efficiency	: >85%
Dimmable options	: Dali

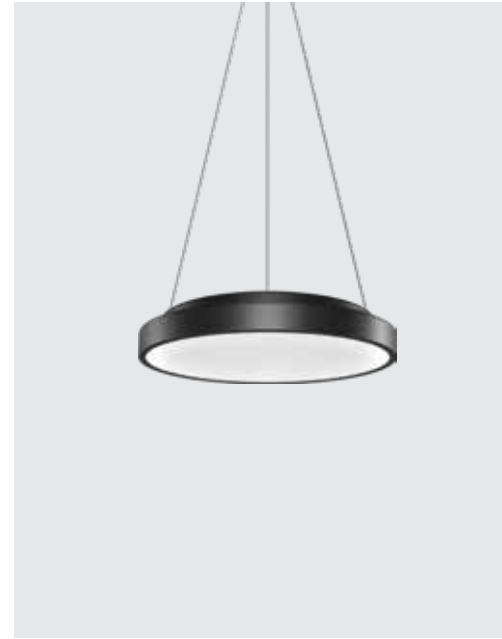
#### Optical Performance

Colour Temperature	: 3000K
Luminous flux	: 6290 lm
Beam Angle	: 120° (Fixed)



### Photometric Data





**Technical Specifications**

**General**

ID	: 2847
System Wattage	: 36W LED
Driver Integral	: Constant Current
Input Voltage	: 230-240Vac
Frequency	: 50-60Hz
Operating Voltage	: 100-277Vac
Operating Temperature	: -15°~+50°C

**Physical**

Body	: Spun Aluminum
Diffuser	: Prismatic / Satin Acrylic
Mounting	: Pendant
Finish	: Powder Coated Black / White / Silver

**Light Source**

Light Source	: LUMILED
LED Lumens	: 5400 lm
CRI (Ra)	: >80 (90 On Request)
LED Colour Temperature	: 3000K / 4000K / 5700K

**Driver**

Power Supply	: Integral
Power Factor	: >0.90
THD	: <10%
Surge Protection	: 4KV
Efficiency	: >85%
Dimmable options	: Dali

**Optical Performance**

Beam Angle	: 120° (Fixed)
------------	----------------

