



**umbrella**

The "Umbrella" outdoor lighting system seems like a comprehensive solution for various outdoor settings. Its emphasis on safety and reliability ensures peace of mind in any environment. The design's capacity to effectively illuminate large areas with minimal obstruction suggests versatility and practicality, accommodating different scenarios seamlessly.

#### MATERIAL

Body	: Spun aluminium & Die cast aluminium
Impact Protection	: IK09
Ingress Protection	: IP65 LED Module
Lens	: Polycarbonate optical lens
Mounting	: Extruded aluminium pipe (grade 6063) suitable for mounting on 88.9mm OD pole

#### ELECTRICAL

Driver	: Standard
Power Supply	: Integral
Input Voltage	: 230-240Vac / 50-60 Hz
Surge	: 6KV

#### PRODUCT CONFIGURATIONS

Wattage	: 200W
Light Distribution	: Symmetrical
CCT	: 3000K / 4000K / 5700K
LED Life Time	: L70 B10 1,00000 H

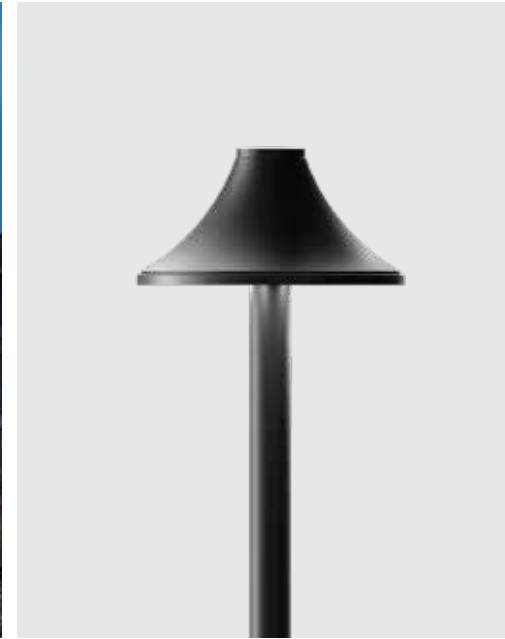
#### AREA OF APPLICATION

Area lighting, Traffic junction, Campus Lighting, Resorts, Shopping centres, Medium size bridge cross ways, Port, Shipment yards, Sports Lightings, Airports etc.,

#### AVAILABLE FINISH

Pure polyester powder coated  
RAL 9004 Signal black  
RAL 9007 Grey aluminium  
RAL 7016 Anthracite grey





**Technical Specifications**

**General**

ID : 4451  
 System Wattage : 200W LED  
 Driver Integral : Constant Current  
 Operating Voltage : 110-300Vac  
 Operating Temperature : -15°C~+50°C

**Physical**

Body : Spun aluminium & Die-cast aluminium  
 Diffuser : Polycarbonate Optical Lens  
 Mounting : Suitable for 88.9mm OD pole.  
 Finish : Powder coated  
 RAL 9004 Signal black  
 RAL 9007 Grey aluminium  
 RAL 7016 Anthracite grey

**Light Source**

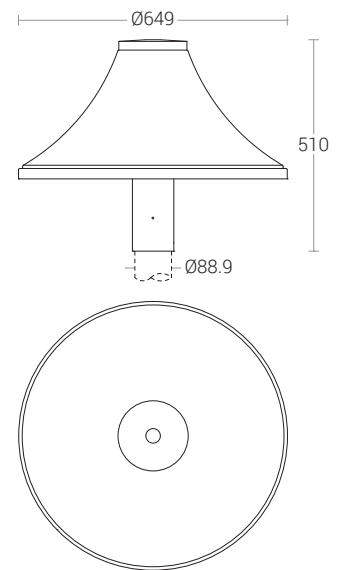
Light Source : LUMILEDS / OSRAM  
 CRI (Ra) : ≥70  
 LED Colour Temperature : 3000K / 4000K / 5700K

**Driver**

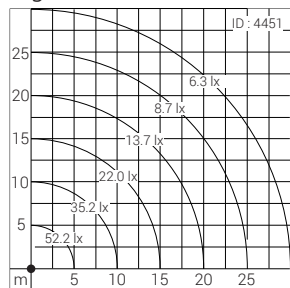
Power Supply : Integral  
 Input Voltage : 230-240Vac  
 Frequency : 50-60 Hz  
 Power Factor : >0.95  
 THD : <10%  
 Surge Protection : 6KV  
 Efficiency : >85%

**Optical Performance**

Light Distribution : Symmetrical



**Light Distribution**



Applied Photometry : H=10m