

An elegant and efficient lantern with frosted prismatic diffuser provide a unique, comfortable light choice with symmetrical and glare free light distribution. Aesthetically designed sturdy construction ensures a long life against all weather condition, maintaining initial performances through the lifetime of the installation.

Product Description

- The luminaire comprises of specially contoured spun aluminium top cover, aluminium decorative knob on top with ornamental supporting arms.
- Prismatic polycarbonate diffuser.
- EPDM Gasket.
- Decorative die-cast aluminium base.
- Suitable for mounting on 76mm OD pipe.
- Cable entries for through-wiring of mains supply cable
- Suitable for operation on 240V, 50Hz single phase ac supply.



Product Benefits

- Elegance, Functionality.
- Moisture proof, insect free.
- The diffuser contributes to the creation of ambiance and to visual comfort by reducing glare.
- Low maintenance cost.
- Dark sky compliant protects pedestrians from glare, in addition to preventing spill light above the horizontal plane.

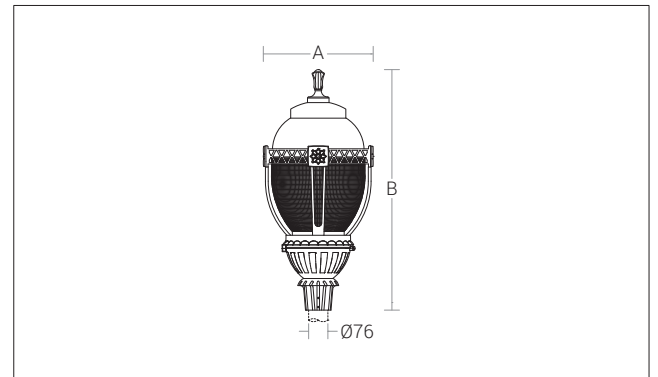
Area of Application

Illuminating parks, Gardens, commercial complex, Pathways in residential buildings & office complex.

Available Finish

Pure polyester powder coated

- Graphite grey
- Anthracite grey
- Jet black



ID	Wattage	A	B
4918	E27	Ø435	932

Max. Wattage E27 : 30W LED / 45W CFLE

An elegant and efficient lantern with prismatic diffuser provide a unique, comfortable light choice with symmetrical and glare free light distribution. Designed for highest efficiency in terms of more lumens at reduced wattages. Aesthetically designed sturdy construction ensures a long life against all weather condition, maintaining initial performances through the lifetime of the installation.

Product Description

- The luminaire comprises of specially contoured spun aluminium top cover, aluminium decorative knob on top with ornamental supporting arms.
- Prismatic polycarbonate diffuser.
- EPDM Gasket.
- Luminaire integrated with 50W LED.
- Decorative die-cast aluminium base.
- Suitable for mounting on 76mm OD pipe.
- Cable entries for through-wiring of mains supply cable
- Integral constant current power supply
- Prewired with LED driver and suitable for operating on 240V, 50Hz single phase ac supply.
- Ordering guide : KL-4998-CCT (Colour Temperature)
- Available CCT : 2700K, 4000K, 5700K



Product Benefits

- Elegance, Functionality.
- Environmental friendly.
- Moisture proof, insect free.
- The diffuser contributes to the creation of ambiance and to visual comfort by reducing glare.
- Low maintenance cost.
- Dark sky compliant protects pedestrians from glare, in addition to preventing spill light above the horizontal plane.
- Sustainable LED technology offers durability and optimal light output with low power consumption.

Area of Application

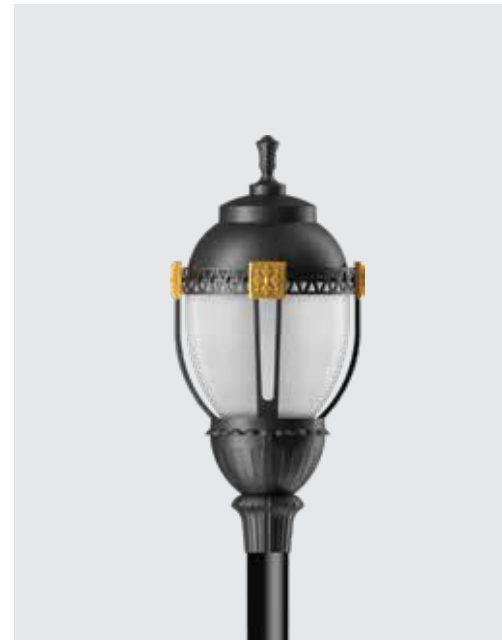
Illuminating parks, Gardens, Commercial complex, Residential roadways, Walkways, Streetscapes & office complex.

Available Finish

Pure polyester powder coated

- Graphite grey
- Anthracite grey
- Jet black





Technical Specifications

General

ID : 4998
 System Wattage : 50W LED
 Driver Integral : Constant Current
 Input Voltage : 230-240Vac
 Frequency : 50-60Hz
 Operating Voltage : 100-277Vac
 Operating Temperature : -15°C~+50°C

Physical

Body : Spun Aluminium top cover & Die- Cast aluminium base.
 Diffuser : Prismatic polycarbonate
 Mounting : Suitable for Ø76mm OD Pipe
 Finish : Powder Coated Graphite Grey / Jet Black Anthracite Grey

Light Source

Light Source : NICHIA
 CRI (Ra) : >70
 LED Colour Temperature : 2700K / 4000K / 5700K

Driver

Power Supply : Integral
 Power Factor : 0.99
 THD : <10%
 Surge Protection : 6KV
 Efficiency : >88%

Optical Performance

Light Distribution : Symmetrical

