

This elegant lantern features a translucent diffuser that delivers a soft, glare-free light, creating a comfortable and inviting atmosphere. Its thoughtfully designed, robust construction ensures long-lasting performance, even in harsh weather conditions. With its enduring durability and consistent light output, this lantern maintains its initial quality throughout its lifespan, offering a reliable and stylish lighting solution for any environment.

Product Description

- Aluminium housing, integrated with extruded aluminium pipe along with pressure die cast aluminium base through supporting arms made of gravity die cast aluminium.
- Diffuser placed into the provision formed on the periphery of the bottom cover.
- Non yellowing UV stabilized translucent acrylic diffuser.
- Low power loss LED driver with 60W LED.
- Suitable for mounting on 60mm OD pipe.
- Cable entries for through-wiring of mains supply cable.
- Integral constant current power supply
- CRI (Ra) : ≥ 80
- Prewired with LED driver and suitable for operating on 240V, 50Hz single phase ac supply.
- Ordering guide : KL-5040-CCT (Colour Temperature)
- Available CCT : 2700K, 3000K, 4000K, 5700K



Product Benefits

- Elegance, Functionality.
- Environmental friendly, moisture proof, insect free.
- Dark sky compliant protects pedestrians from glare, in addition to preventing spill light above the horizontal plane.
- Sustainable LED technology offers durability and optimal light output with low power consumption.

Area of Application

Illuminating parks, Gardens, commercial complex, Pathways in residential buildings & office complex.

Available Finish

Pure polyester powder coated

RAL 9004 Signal black

RAL 9007 Grey aluminium

RAL 7016 Anthracite grey

Graphite grey





JAIPUR CHAUPATI



Technical Specifications

General

ID : 5040
 System Wattage : 60W LED
 Driver Integral : Constant Current
 Operating Voltage : 100-277Vac
 Operating Temperature : -15°C~+50°C

Light Source

Light Source : NICHIA
 CRI (Ra) : >80
 LED Colour Temperature : 2700K / 3000K / 4000K / 5700K

Physical

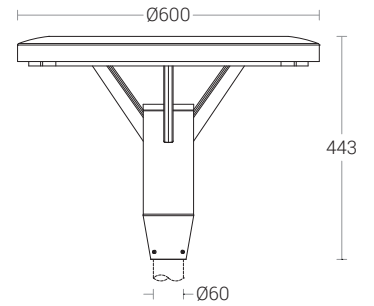
Body : Extruded aluminium with Spun Aluminium Top
 Diffuser : Translucent Acrylic
 Mounting : Suitable for Mounting on Ø60mm OD Pipe
 Finish : Powder coated
 RAL 9004 Signal black
 RAL 9007 Grey aluminium
 RAL 7016 Anthracite grey
 Graphite grey

Driver

Power Supply : Integral
 Input Voltage : 230-240Vac
 Frequency : 50-60 Hz
 Power Factor : >0.95
 THD : <10%
 Surge Protection : 6KV
 Efficiency : >88%

Optical Performance

Light Distribution : 120°



Note : It is our constant endeavor to upgrade the performance of our products. For the latest technical information, IES files and product updates please refer to the website at www.klite.in