

A modern heritage post top luminaire upgraded with high performance light engines. Aesthetically designed sturdy construction ensures a long life against all weather condition, maintaining initial performances through the lifetime of the installation. Product offered in asymmetrical light distribution.

Product Description

- The luminaire comprises of specially contoured spun aluminium top cover, gravity die cast aluminium supporting arms with mounting base.
- Non yellowing, UV stabilised, V clear acrylic / V clear polycarbonate diffuser.
- Luminaire integrated with 50W LED.
- Luminaires suitable for mounting on 50mm OD pipe.
- Cable entries for through-wiring of mains supply cable
- Integral constant current power supply
- Prewired with LED driver and suitable for operating on 240V, 50Hz single phase ac supply.
- Ordering guide : KL-4518-CCT (Colour Temperature)
- Available CCT : 3000K, 4000K, 5700K



Product Benefits

- High luminous efficiency at reduced wattage.
- Environmental friendly.
- Corrosion resistant and easy maintenance.
- Quick installation and low assembly costs.
- Dark sky compliant protects pedestrians from glare, in addition to preventing spill light above the horizontal plane.
- Sustainable LED technology offers durability and optimal light output with low power consumption.

Area of Application

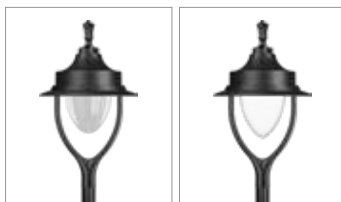
Illuminating parks, Gardens, Commercial complex, Residential roadways, Walkways, Streetscapes & office complex.

Available Finish

Pure polyester powder coated

- Graphite grey
- Anthracite grey
- Jet black

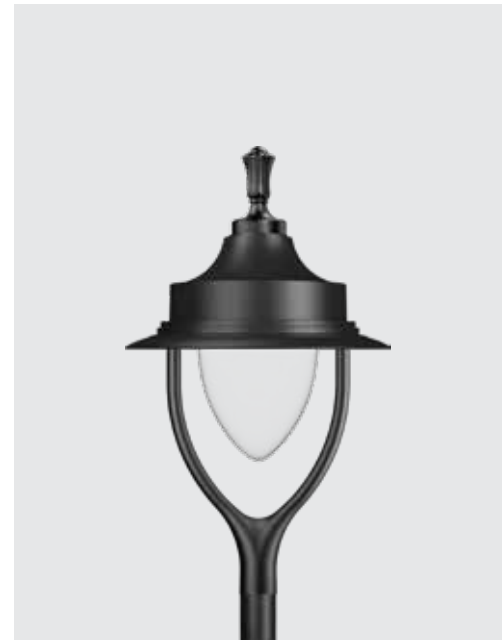
Diffuser Options



A9 - Clear Acrylic Diffuser

A12 - Clear PC Diffuser





Technical Specifications

General

ID : 4518
 System Wattage : 50W LED
 Driver Integral : Constant Current
 Input Voltage : 230-240Vac
 Frequency : 50-60 Hz
 Operating Voltage : 100-277Vac
 Operating Temperature : -15°C~+50°C

Physical

Body : Spun aluminium top cover & Die cast aluminium base
 Diffuser : Clear acrylic / Clear PC
 Mounting : Suitable for Ø50mm OD Pipe
 Finish : Powder Coated
 Graphite Grey / Jet Black
 Anthracite Grey

Light Source

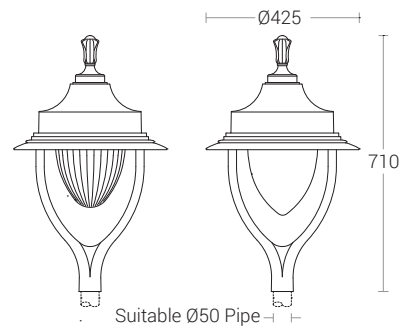
Light Source : OSRAM / LUMILED
 LED Lumens : 6825 lm
 CRI (Ra) : >80
 LED Colour Temperature : 3000K / 4000K / 5700K

Driver

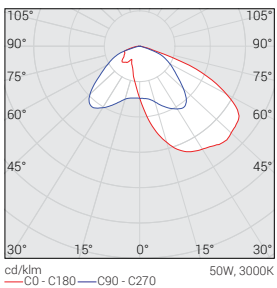
Power Supply : Integral
 Power Factor : >0.95
 THD : <10%
 Surge Protection : 6KV
 Efficiency : >85%

Optical Performance

Colour Temperature : 3000K / 4000K / 5700K
 Luminous flux : 5800 / 6031 / 6039 lm
 Light Distribution : Type IV



Photometric data



A modern heritage post top luminaire upgraded with high performance light engines. Aesthetically designed sturdy construction ensures a long life against all weather condition, maintaining initial performances through the lifetime of the installation. Product offered in symmetrical light distribution.

Product Description

- The luminaire comprises of specially contoured spun aluminium top cover, gravity die cast aluminium supporting arms with mounting base.
- Non yellowing UV stabilised, V translucent acrylic diffuser.
- Luminaire integrated with 30W LED.
- Luminaires suitable for mounting on 50mm OD pipe.
- Cable entries for through-wiring of mains supply cable
- Integral constant current power supply
- Prewired with LED driver and suitable for operating on 240V, 50Hz single phase ac supply.
- Ordering guide : KL-5000-CCT (Colour Temperature)
- Available CCT : 3000K, 4000K, 5700K



Product Benefits

- High luminous efficiency at reduced wattage.
- Environmental friendly.
- Corrosion resistant and easy maintenance.
- Quick installation and low assembly costs.
- Dark sky compliant protects pedestrians from glare, in addition to preventing spill light above the horizontal plane.
- Sustainable LED technology offers durability and optimal light output with low power consumption.

Area of Application

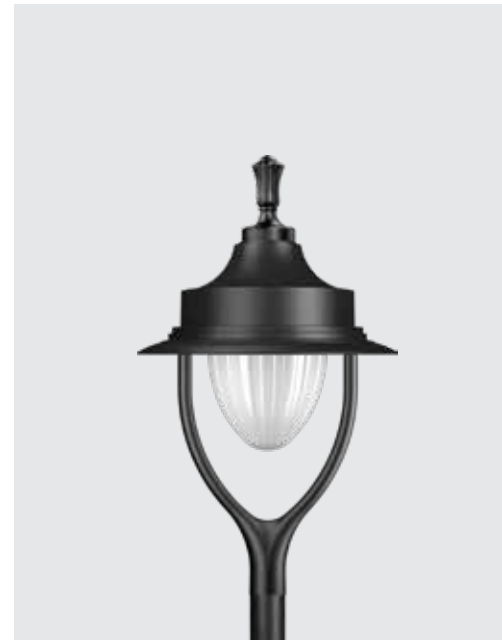
Illuminating parks, Gardens, Commercial complex, Residential roadways, Walkways, Streetscapes & office complex.

Available Finish

Pure polyester powder coated

- Graphite grey
- Anthracite grey
- Jet black





Technical Specifications

General

ID	: 5000
System Wattage	: 30W LED
Driver Integral	: Constant Current
Input Voltage	: 230-240Vac
Frequency	: 50-60 Hz
Operating Voltage	: 100-277Vac
Operating Temperature	: -15°C~+50°C

Light Source

Light Source	: NICHIA
LED Lumens	: 4500 lm
CRI (Ra)	: >80
LED Colour Temperature	: 3000K / 4000K / 5700K

Driver

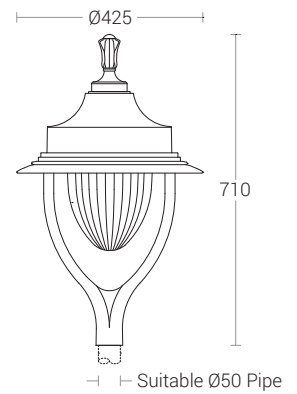
Power Supply	: Integral
Power Factor	: >0.9
THD	: <10%
Surge Protection	: 4KV
Efficiency	: >85%

Physical

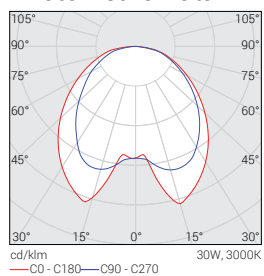
Body	: Spun aluminium top cover & Die cast aluminium base
Diffuser	: Translucent acrylic
Mounting	: Suitable for Ø50mm OD Pipe
Finish	: Powder Coated Graphite Grey / Jet Black Anthracite Grey

Optical Performance

Colour Temperature	: 3000K
Luminous flux	: 2147 lm
Light Distribution	: Symmetrical



Photometric Data



A modern heritage post top luminaire upgraded with high performance light engines. Aesthetically designed sturdy construction ensures a long life against all weather condition, maintaining initial performances through the lifetime of the installation. Product offered in asymmetrical light distribution.

Product Description

- The luminaire comprises of specially contoured spun aluminium top cover, gravity die cast aluminium supporting arms with mounting base.
- Non yellowing UV stabilised, V clear acrylic / V clear polycarbonate diffuser.
- Luminaire integrated with 30W LED.
- Luminaires suitable for mounting on 50mm OD pipe.
- Cable entries for through-wiring of mains supply cable
- Integral constant current power supply
- Prewired with LED driver and suitable for operating on 240V, 50Hz single phase ac supply.
- Ordering guide : KL-5192-CCT (Colour Temperature)
- Available CCT : 3000K, 4000K, 5700K



Product Benefits

- High luminous efficiency at reduced wattage.
- Environmental friendly.
- Corrosion resistant and easy maintenance.
- Quick installation and low assembly costs.
- Dark sky compliant protects pedestrians from glare, in addition to preventing spill light above the horizontal plane.
- Sustainable LED technology offers durability and optimal light output with low power consumption.

Area of Application

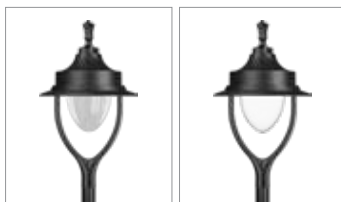
Illuminating parks, Gardens, Commercial complex, Residential roadways, Walkways, Streetscapes & office complex.

Available Finish

Pure polyester powder coated

- Graphite grey
- Anthracite grey
- Jet black

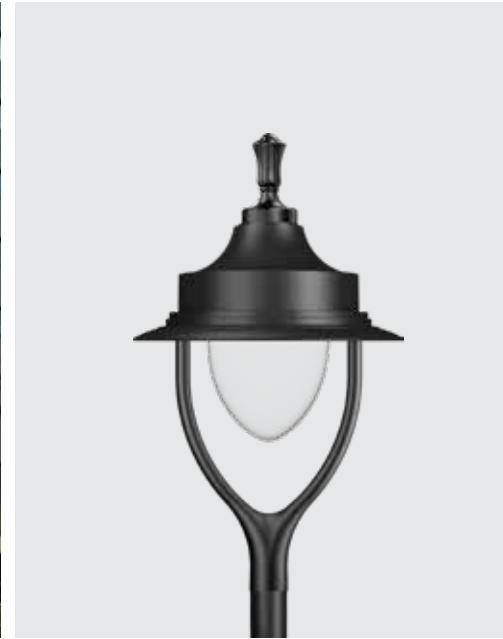
Diffuser Options



A9 - Clear Acrylic Diffuser

A12 - Clear PC Diffuser





Technical Specifications

General

ID : 5192
 System Wattage : 30W LED
 Driver Integral : Constant Current
 Input Voltage : 230-240Vac
 Frequency : 50-60 Hz
 Operating Voltage : 100-277Vac
 Operating Temperature : -15°C~+50°C

Physical

Body : Spun aluminium top cover & Die cast aluminium base
 Diffuser : Clear acrylic / Clear PC
 Mounting : Suitable for Ø50mm OD Pipe
 Finish : Powder Coated
 Graphite Grey / Jet Black
 Anthracite Grey

Light Source

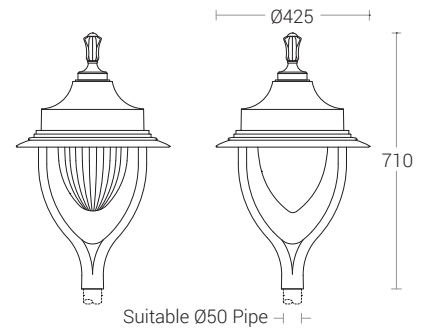
Light Source : OSRAM / LUMILED
 LED Lumens : 4500 lm
 CRI (Ra) : >80
 LED Colour Temperature : 3000K / 4000K / 5700K

Driver

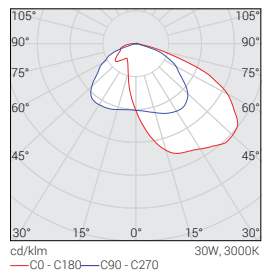
Power Supply : Integral
 Power Factor : >0.95
 THD : <10%
 Surge Protection : 4KV
 Efficiency : >85%

Optical Performance

Colour Temperature : 3000K / 4000K / 5700K
 Luminous flux : 3638 / 3664 / 3700 lm
 Light Distribution : Type IV



Photometric Data



A modern heritage post top luminaire. Aesthetically designed sturdy construction ensures a long life against all weather condition, maintaining initial performances through the lifetime of the installation.

Product Description

- The luminaire comprises of specially contoured spun aluminium top cover, gravity die cast aluminium supporting arms with mounting base.
- Non yellowing UV stabilised, V translucent acrylic / V clear acrylic / V clear polycarbonate diffuser.
- Luminaires suitable for mounting on 50mm OD pipe.
- Cable entries for through-wiring of mains supply cable
- Prewired with E27 holder and suitable for operation on 240V, 50Hz single phase ac supply.



Product Benefits

- Elegance, Functionality.
- Corrosion resistant and easy maintenance.
- Quick installation and low assembly costs.
- Dark sky compliant protects pedestrians from glare, in addition to preventing spill light above the horizontal plane.

Area of Application

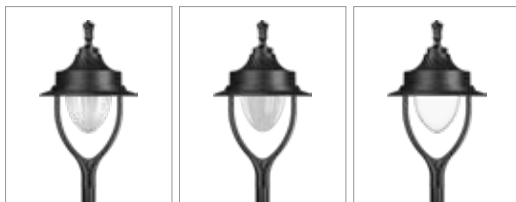
Illuminating parks, Gardens, Commercial complex, Residential roadways, Walkways, Streetscapes & office complex.

Available Finish

Pure polyester powder coated

- Graphite grey
- Anthracite grey
- Jet black

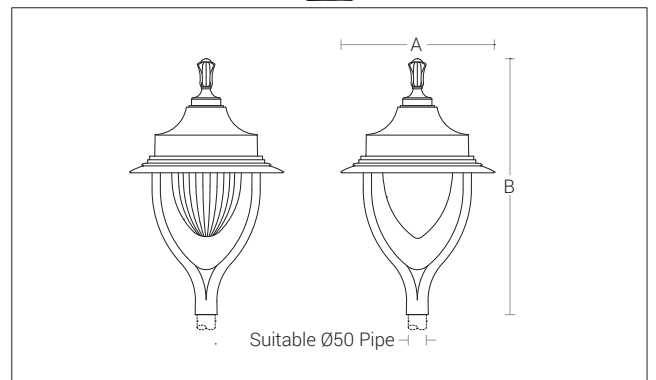
Diffuser Options



A8 - Translucent Acrylic

A9 - Clear Acrylic Diffuser

A12 - Clear PC Diffuser



ID	Wattage	A	B
5353 A8/A9/A12	E27	Ø425	710