



OPEN SOURCE

### Technical Specifications

#### General

ID	: 4326
System Wattage	: 90W LED
Driver Non-Integral	: Constant Voltage
Operating Voltage	: 24Vdc
Operating Temperature	: -10°C~+50°C

#### Light Source

Light Source	: CREE
CRI (Ra)	: >80
LED Colour Temperature	: 3000K (Other CCT's on request)

#### Physical

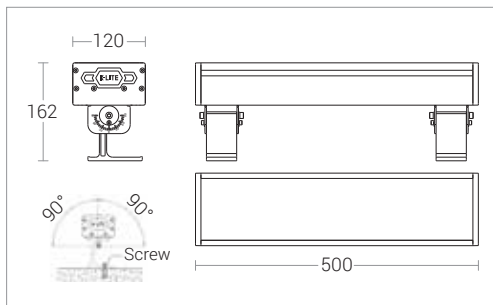
Body	: 6063 Aluminium Alloy
Diffuser	: Clear Toughened Glass
Mounting	: Surface - Bracket
Finish	: Powder Coated RAL 7024 Graphite Grey

#### Driver

Power Supply	: Non Integral
--------------	----------------

#### Optical Performance

Beam Angle	: 20° / 60°
------------	-------------





OPEN SOURCE

### Technical Specifications

#### General

ID	: 4326
System Wattage	: 90W LED
Driver Non-Integral	: Constant Voltage
Operating Voltage	: 24Vdc
Operating Temperature	: -10°C~+50°C

#### Light Source

Light Source	: CREE
CRI (Ra) for White light	: >80
LED Colour Temperature	: RGBW

#### Physical

Body	: 6063 Aluminium Alloy
Diffuser	: Clear Toughened Glass
Mounting	: Surface - Bracket
Finish	: Powder Coated RAL 7024 Graphite Grey

#### Driver

Power Supply	: Non Integral
Control	: DMX512 compatibility

#### Optical Performance

Beam Angle	: 20° / 60°
------------	-------------

